

**OFFSET RING WRENCHES - METRIC | E113321**

**Description**

- ISO 691 - ISO 1711-1 - ISO 3318 - ISO 10104 - DIN 838
- 12-point OGV® ring wrenches offset by 70° for better access to recessed nuts.
- OGV® Ring profile maximizing contact surface with the nut for a longer lifetime.
- Forged in Chrome Vanadium steel.
- High chrome finish.

**Information**

<b>EAN</b>	3258951133217
------------	---------------

<b>A1 [mm]</b>	7
----------------	---

<b>A [mm]</b>	6
---------------	---

<b>B [mm]</b>	10.8
---------------	------

<b>B1 [mm]</b>	12.5
----------------	------

<b>C [mm]</b>	4
---------------	---

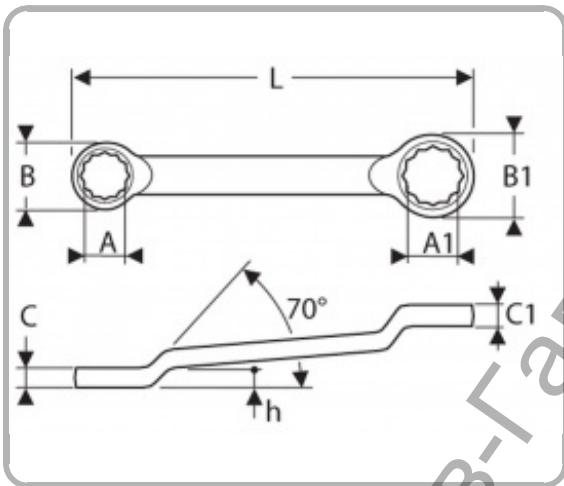
<b>C1 [mm]</b>	5.6
----------------	-----

<b>H1 [mm]</b>	19.5
----------------	------

<b>L [mm]</b>	170
---------------	-----

<b>Conditioning</b>	1
---------------------	---

<b>[g]</b>	45
------------	----



Ташев-Галвини ООД  
www.tashev-galving.com